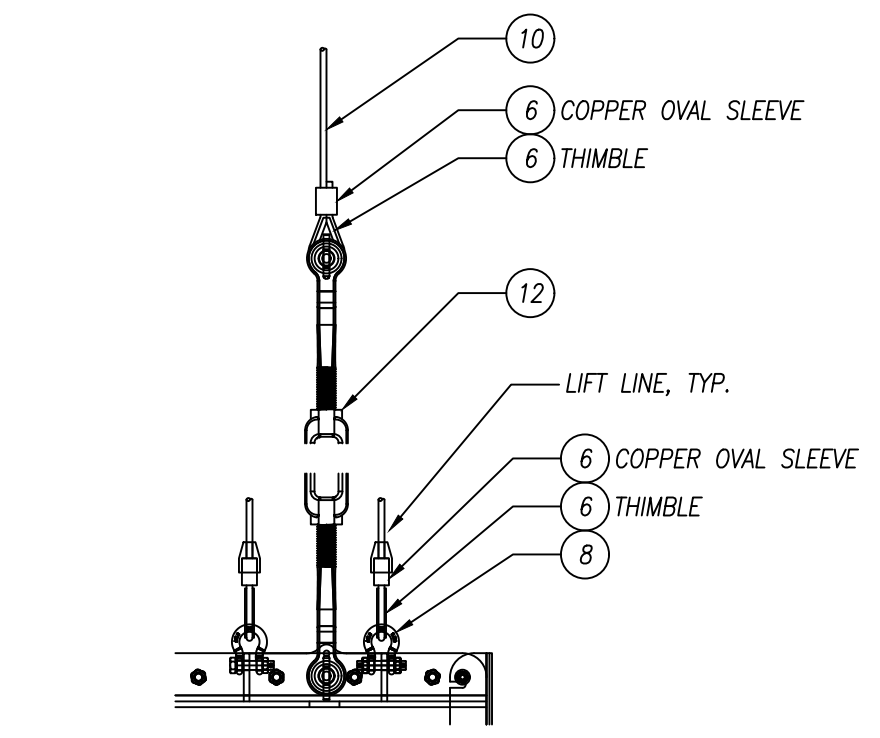
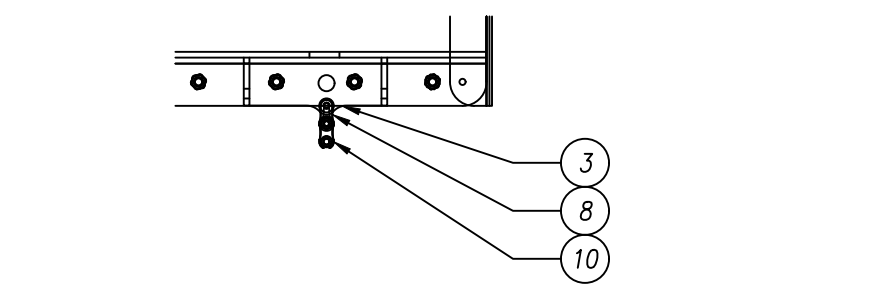


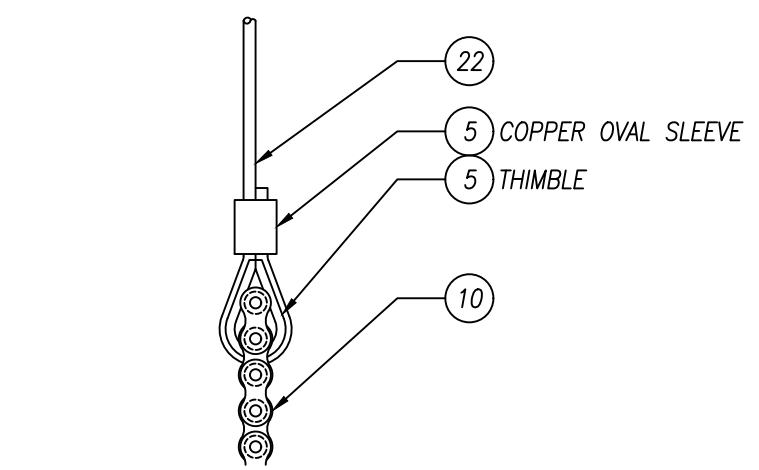
A ELEVATION OF ELECTRIC LINESET
 SCALE: 1/4" = 1'-0"
 NOTE (S):
 S.O. CABLE (S), CONNECTOR STRIP, CONNECTOR STRIP BRACKETS
 AND J-BOXES ARE BY ELECTRICAL CONTRACTOR. PLEASE
 PROVIDE SUBMITTAL INFO. SHOWN ONLY FOR REFERENCE.



A ARBOR TOP CONNECTION
 SCALE: 1 1/2" = 1'-0"



B ARBOR BOTTOM CONNECTION
 SCALE: 1 1/2" = 1'-0"

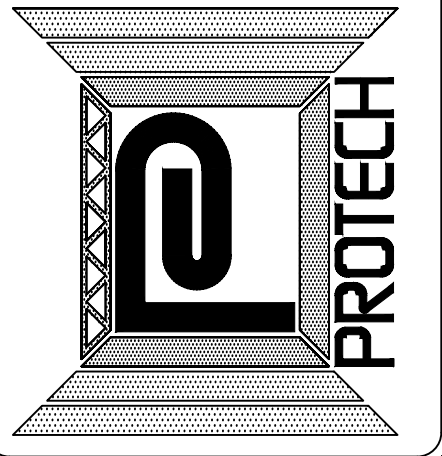


C CHAIN TO CABLE
 SCALE: 3" = 1'-0"

ITEM No.	DESCRIPTION
16	HMI CONTROL MODULE (HCM)
15	ELECTRICAL CONTROL MODULE (ECM)
14	POWER DRIVE UNIT (PDU)
13	ARBOR BOTTOM BRACKET
12	3/8" x 6" "J&J" TURNBUCKLE
11	LOCKING RAIL w/STANCHION LEGS
10	DRIVE CHAIN: No. 60 ROLLER CHAIN
9	3/8"-16 x 3 1/2" DEWALT POWER-STUD+SD1 (ESR-2966)
8	No. 60 ROLLER CHAIN CONNECTING LINK
7	DRIVE LINE: 19x7 NON-ROTATING 1/4" DIA. CABLE
6	5/16" COTTER PIN SHACKLE
5	1/4" COPPER OVAL SLEEVE, THIMBLE AND HEAT SHRINK TUBING
4	PIPE BATTEN: 1 1/2" SCH. 40
3b	COUNTERMATE ARBOR x 72" LG.
3a	COUNTERMATE ARBOR x 42" LG.
2	LIFT LINE: 1/4" DIA. AIRCRAFT CABLE
1	LOFT BLOCK

THIS DOCUMENT CONTAINS INFORMATION PROPRIETARY TO PROTECH AND ITS AFFILIATES. ANY REPRODUCTION, TRANSMISSION, OR USE OF THIS DOCUMENT WITHOUT THE WRITTEN PERMISSION OF PROTECH THEATRICAL SERVICES, INC. IS STRICTLY PROHIBITED.

6500 ATLANTIC AVENUE
 LONG BEACH CA 90805
 Tel (949) 673-4737
 Fax (949) 673-6616



No.	DATE	BY	DESCRIPTION

Project name:
 COUNTERMATE STD
 LOCATION

Sheet title:
 ELEVATION OF STANDARD LINESET

Date: ---, 2020
 CAD: ---
 DRAWN BY: ---
 CHECK BY: ---

Project
 --
 Sheet
 03